

Supine/Upright Stander Lasse size 5

REHATEC®

Model 2020

suitable from about 170 cm to 200 cm

Cost estimate

Sender/billing address

Order

Address for dispatch

Purchaser

Date

Commission

This order form helps you configure your supine/upright stander Lasse for patients up to 2 m tall and weighing up to 130 kg.

Max. user weight of 130 kg

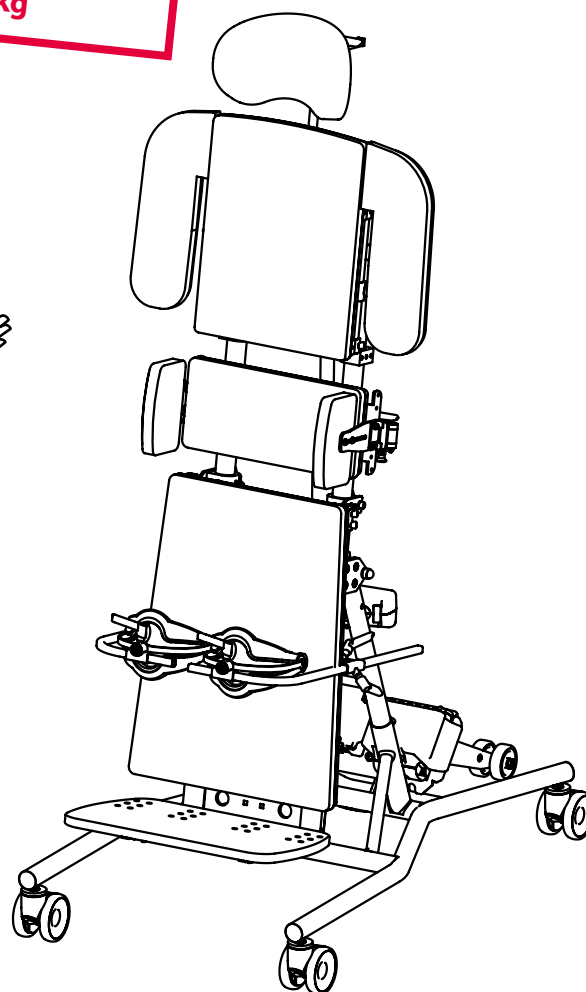


Figure does not comply with the base model and its accessories

Base model

- | | |
|--|--|
| <ul style="list-style-type: none"> • Frame with 100 mm castors • Anti-tip • Recline adjustment via electric motor from 0° to 85° • Battery for emergency lowering function • Footplate | <ul style="list-style-type: none"> • Leg control pads • Pelvic support board with flip away pelvic supports • Back support • Butterfly harness |
|--|--|

Max. user weight

for size 5 with electric motor: 130 kg

Additional technical details available at www.rehatec.com -> Downloads. Or send us your request by email, fax or letter.

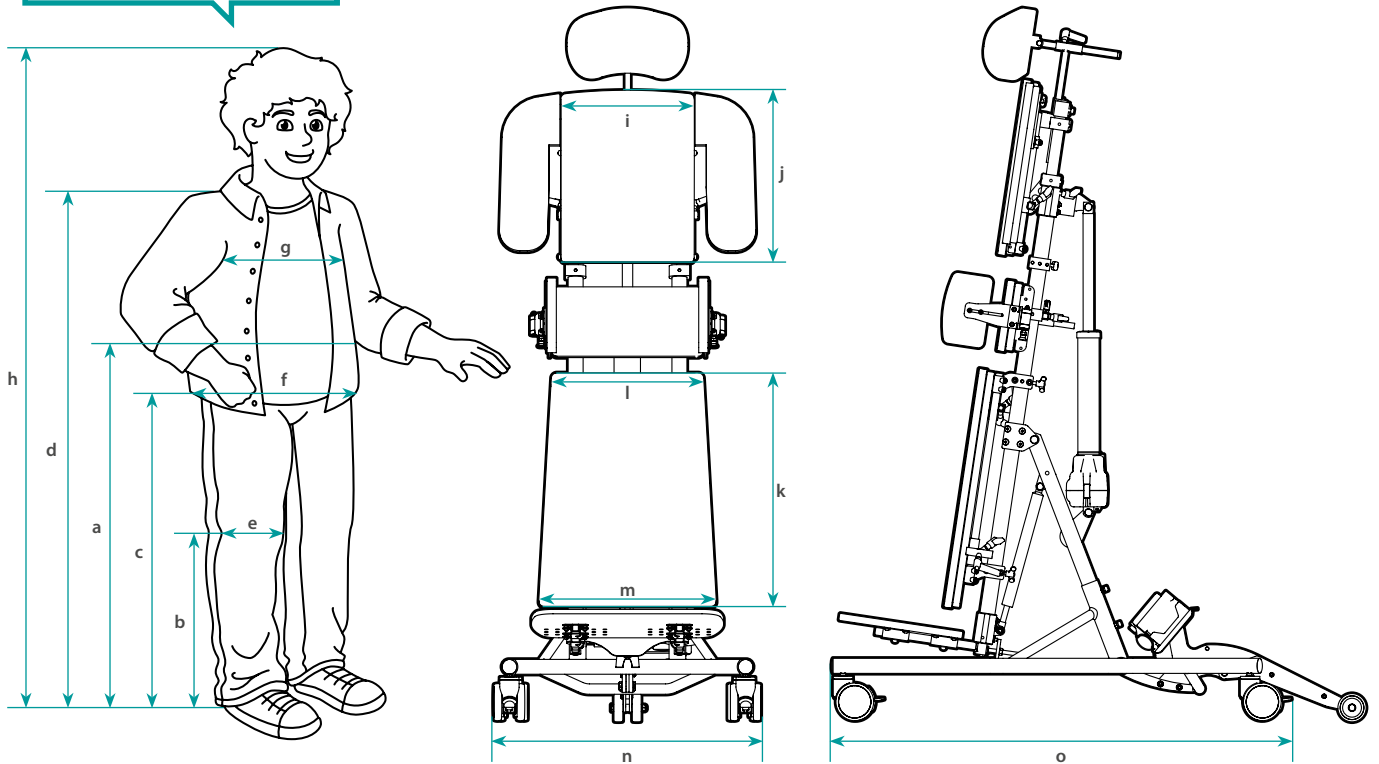
Valid from 2023-01-01 until recalled. © Unauthorized duplication without prior permission of Rehatec GmbH is strictly prohibited.

Technical changes reserved. Our General Terms and Conditions apply, see www.rehatec.com.

By ordering our products, you confirm that you have read and accepted our General Terms and Conditions

Rehatec® GmbH, In den Kreuzwiesen 35, 69250 Schönau, T: +49 6228 9136-0, F: +49 6228 9136-99, info@rehatec.com, www.rehatec.com

Enter the measurements of your patient below.



Patient's muscle tone

Stereotypic movements
(e.g. permanent body rocking)*

* If there are stereotypic movements, please check whether the stander requires any special customisation.

Figure does not comply with the base model and its accessories | Size tolerance of $\pm 3\%$

Base model/user measurements				Please complete!					
	Tray height (a)	Knee height (b)	Pelvic middle (c)	Shoulder height (d)	Knee width (e)	Pelvic width (f)	Chest width (g)	Body height (h)	Patient's weight
5	82 – 140 cm	40 – 80 cm	82 – 105 cm	145 – 175 cm	8 – 14 cm	36 – 51 cm	32 – 46 cm (56 cm ⁽¹⁾)	ca. 170 – 200 cm	max. 130 kg
User	cm	cm	cm	cm	cm	cm	cm	cm	kg

⁽¹⁾ Optional accessories available (see page 4)

Base model measurements								
Type	Adjustment type	Back plate (i × j)	Leg rest plates		Total width (n)	Total length (o)	Transfer height ⁽²⁾	Clear space height ⁽²⁾
			Height (k)	Width (l/m)				
5	Motor	36 × 47 cm	64 cm	40 cm / 47 cm	71 cm	122 cm	93 cm	14.5 cm

⁽²⁾ Combined with 100 mm castors. +4.5 cm combined with 125 mm castors

Additional technical details available at www.rehatec.com -> Downloads. Or send us your request by email, fax or letter.

Valid from 2023-01-01 until recalled. © Unauthorized duplication without prior permission of Rehatec GmbH is strictly prohibited.

Technical changes reserved. Our General Terms and Conditions apply, see www.rehatec.com.

By ordering our products, you confirm that you have read and accepted our General Terms and Conditions

Rehatec® GmbH, In den Kreuzwiesen 35, 69250 Schönau, T: +49 6228 9136-0, F: +49 6228 9136-99, info@rehatec.com, www.rehatec.com

Variante

Lasse size 5, adjustable via electric motor
Code 1018966

For adults

Recline adjustment via electric motor

Battery for emergency lowering included

Base price **5.129,-€**

Electric height/recline adjustment

Electric height/recline adjustment, battery included
100 mm castors and degree indicator

Code 1024926

Not available with 125 mm castors

The minimum transfer height amounts to 78 cm.

Extra charge **1.890,-€**

Do not forget to select the frame and cushion colours of your Lasse. They are very important to process your order.

Frame colours

Pure white (RAL 9010)	Pearl night blue, matt (RAL 5026)
Daffodil yellow (RAL 1007)	Water blue (RAL 5021)
Luminous yellow (RAL 1026)	Light green (RAL 6027)
Pure orange (RAL 2004)	Yellow green (RAL 6018)
Luminous orange (RAL 2005)	Pearl green, matt (RAL 6035)
Ruby red (RAL 3003)	Luminous green (RAL 6038)
Pearl ruby red, matt (RAL 3032)	Anthracite grey, matt (RAL 7016m)
Heather violet (RAL 4003)	Metallic silver*
Claret violet (RAL 4004)	Metallic anthracite*
Ultramarine blue (RAL 5002)	Graphite black, matt (RAL 9011m)
Metallic traffic blue	Glossy jet black (RAL 9005g)

*no RAL colours

This is only an overview of colours. Find all details at www.rehatec.com.

Cushion colours

Premium microfibre cushion
 Blue (N20081)

Premium Trevira® CS cushion
 Grey (GU709-5709)

Premium artificial leather cushions

Light grey (N20057/ N20057) **295 € netto**

Anthracite (N20058/ N20058) **295 € netto**

Castors

<p>Lockable 100 mm castors</p> <p>Code 1022143</p> <p>Clear space height = 14.5 cm</p> <p>Standard</p>	<p>Lockable 125 mm castors</p> <p>Clear space height = 17 cm</p> <p>Optional</p> <p>Not available for height-adjustable frame</p>	<p>Wall and furniture bumpers</p> <p>The total width extends by 4 cm!</p> <table border="1"> <thead> <tr> <th>Code</th> <th>Castors</th> </tr> </thead> <tbody> <tr> <td>1018783</td> <td>100 mm</td> </tr> <tr> <td>1018698</td> <td>125 mm</td> </tr> </tbody> </table> <p>Set 111,-€</p>	Code	Castors	1018783	100 mm	1018698	125 mm
Code	Castors							
1018783	100 mm							
1018698	125 mm							

Leg positioning

<p>Footplate, split Code 1020345</p> <p>Pair/Extra charge 136,-€</p>	<p>Multi-adjustable ball joints for split footplates</p> <p>Code 10051</p> <p>to support foot flexion, extension, supination and pronation</p> <p>CAUTION! Specified user measurements (c) + (d) + (h) are reduced by 4 cm!</p> <p>Pair/Extra charge 271,-€</p>	<p>Foot support attachment, adjustable for angle Code 1020344</p> <p>Adjustable via toothed segments</p> <p>Pair/Extra charge 290,-€</p>	<p>Sandals, foot straps included Code 10069</p> <table border="1"> <thead> <tr> <th>a</th> <th>b</th> <th>c</th> </tr> </thead> <tbody> <tr> <td>12 cm</td> <td>20 cm</td> <td>14 cm</td> </tr> </tbody> </table> <p>Pair/Extra charge 170,-€</p>	a	b	c	12 cm	20 cm	14 cm
a	b	c							
12 cm	20 cm	14 cm							

Additional technical details available at www.rehatec.com -> Downloads. Or send us your request by email, fax or letter.

Valid from 2023-01-01 until recalled. © Unauthorized duplication without prior permission of Rehatec GmbH is strictly prohibited.

Technical changes reserved. Our General Terms and Conditions apply, see www.rehatec.com.

By ordering our products, you confirm that you have read and accepted our General Terms and Conditions

Rehatec® GmbH, In den Kreuzwiesen 35, 69250 Schönau, T: +49 6228 9136-0, F: +49 6228 9136-99, info@rehatec.com, www.rehatec.com

Leg positioning, adjustable for angle Code 1021014		Knee cups Code 1021493 Colour: grey		Knee cups made to measure Code 1021493-2 Colour: grey		Knee cups, contoured Code 10074										
		<table border="1"> <tr><th>e</th><th>b</th></tr> <tr><td>9 cm</td><td>12 cm</td></tr> <tr><td>11 cm</td><td>12 cm</td></tr> </table>		e	b	9 cm	12 cm	11 cm	12 cm	Depth = _____ cm e = _____ cm		<table border="1"> <tr><th>e</th></tr> <tr><td>11.5 cm</td></tr> <tr><td>13 cm</td></tr> </table>		e	11.5 cm	13 cm
e	b															
9 cm	12 cm															
11 cm	12 cm															
e																
11.5 cm																
13 cm																
Pair	571,-€	Pair	Please choose one! 503,-€	Pair	695,-€	Pair	Please choose one! 567,-€									

Pelvic supports		Tray		Mechanical stop, tray depth adjustment							
Pelvic support board, flip away pelvic supports Code 1019647		Tray with grab rail Code 1020359 Adjustable for depth and angle		Code 1023148							
Straight support attachment		<table border="1"> <tr><th>a</th><th>b</th><th>c</th></tr> <tr><td>70 cm</td><td>50 cm</td><td>44 cm</td></tr> </table>		a	b	c	70 cm	50 cm	44 cm		
a	b	c									
70 cm	50 cm	44 cm									
<table border="1"> <tr><th>a</th><th>b</th><th>Maß (f)</th></tr> <tr><td>12 cm</td><td>19 cm</td><td>36-51 cm</td></tr> </table>		a	b	Maß (f)	12 cm	19 cm	36-51 cm	Extra charge		728,-€	
a	b	Maß (f)									
12 cm	19 cm	36-51 cm									
Standard		Pair	30,-€								

Thoracic supports		Armrests, removable		Back extension		Push bar																	
Lateral supports		Code 10042		Code 1020357		Code 10076																	
<table border="1"> <tr><th>Supports</th><th>Code</th><th>a</th><th>b</th></tr> <tr><td>Swing-away</td><td>10041</td><td>14 cm</td><td>12 cm</td></tr> <tr><td>Removable</td><td>10041-1</td><td>14 cm</td><td>12 cm</td></tr> </table>		Supports	Code	a	b	Swing-away	10041	14 cm	12 cm	Removable	10041-1	14 cm	12 cm	<table border="1"> <tr><th>a</th><th>b</th></tr> <tr><td>16 cm</td><td>42 cm</td></tr> </table>		a	b	16 cm	42 cm				
Supports	Code	a	b																				
Swing-away	10041	14 cm	12 cm																				
Removable	10041-1	14 cm	12 cm																				
a	b																						
16 cm	42 cm																						
Swing-away	293,-€	Pair	336,-€	Extra charge	270,-€	Extra charge 320,-€																	
Removable	293,-€																						

Optional accessories	
90° angle for lateral supports Code 1010870 Reinforced and extended for a breast width of 32 - 56 cm	Mounting bracket for armrests, extended Code 1010871
	<div style="border: 1px solid black; padding: 2px; text-align: center;">Required when the chest width exceeds 40 cm</div> <div style="border: 1px solid black; padding: 2px; text-align: center;">Only required when code 1010870 applies</div>
Pair	120,-€
Pair	67,-€

