

Heidelberg Upright Stander Benni

Sizes 1 and 2 – suitable from about 65 cm to about 135 cm

Cost estimate

Sender / billing address

Order

Address for dispatch

Purchaser

Date

Commission

Hello, my name is Benni. I am suitable for toddlers and children from about 1 year to about 8 years.

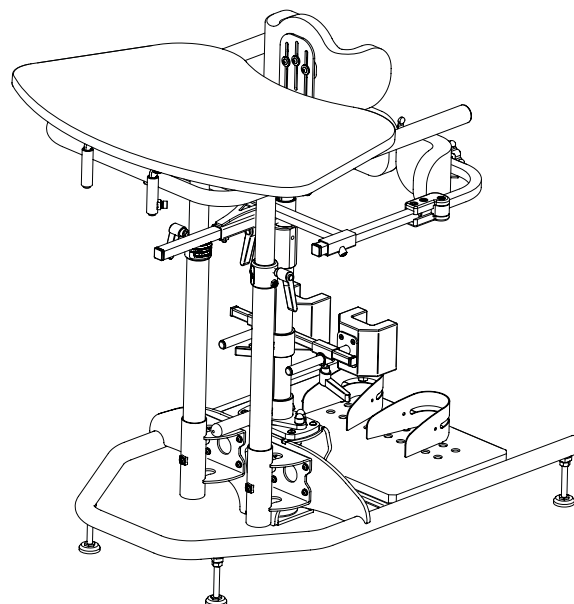
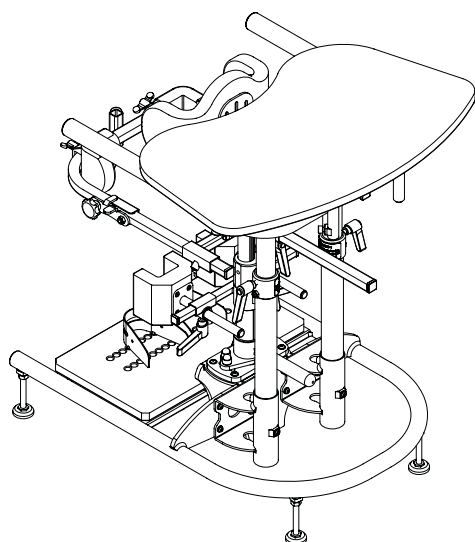


Figure does not comply with base model | Size tolerances $\pm 3\%$

Base model size 1

- Dynamic and fixable centre column
- Tray
- Chest support (standard)
- Swivel arm frame
- Pelvic supports
- Knee cups
- Sandals, removable
- Feet

Intended age group: about 1 to about 4 years*

Max. user weight: 35 kg

User height: about 65 cm to about 105 cm

Base model size 2

- Dynamic and fixable centre column
- Tray
- Chest support (standard)
- Swivel arm frame
- Pelvic supports
- Knee cups
- Sandals, removable
- Feet

Intended age group: about 3 to about 8 years*

Max. user weight: 45 kg

User height: about 95 cm to about 135 cm

*The user measurements decide which size is suitable.

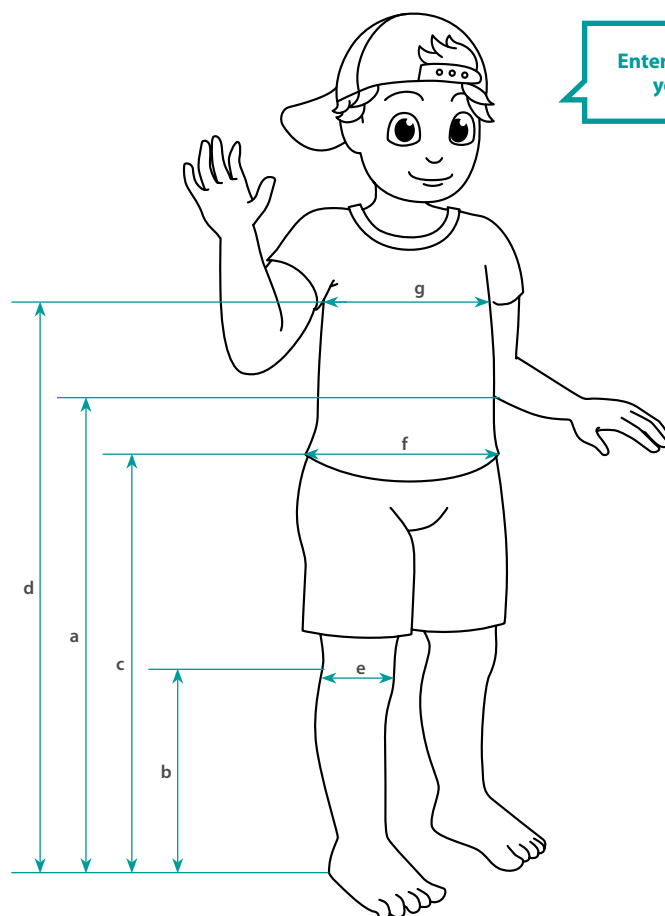
Additional technical details available at www.rehatec.com -> Downloads. Or send us your request by email, fax or letter.

Valid from 2023-01-01 until recalled. © Unauthorized duplication without prior permission of Rehatec GmbH is strictly prohibited.

Technical changes reserved. Our General Terms and Conditions apply, see www.rehatec.com.

By ordering our products, you confirm that you have read and accepted our General Terms and Conditions

Rehatec® GmbH, In den Kreuzwiesen 35, 69250 Schönau, T: +49 6228 9136-0, F: +49 6228 9136-99, info@rehatec.com, www.rehatec.com



Enter the measurements of your patient below.

***CAUTION:**
For technical reasons, the distance between the tray height (a) and the height of the pelvic middle (c) amounts to at least 8 cm!

Size tolerances $\pm 3\%$

| Base model/user measurements | | | | Please complete! | | | | | |
|------------------------------|-----------------|-----------------|--------------------------|---------------------------|----------------|------------------|-----------------|---------------|-------------|
| | Tray height (a) | Knee height (b) | Height pelvic middle (c) | Height chest supports (d) | Knee width (e) | Pelvic width (f) | Chest width (g) | Body height | User weight |
| Size 1 | 40–68 cm | 16–30 cm | 32–60 cm | 43–87 cm | 6–13 cm | 14–22 cm | 15–24 cm* | ca. 65–105 cm | 35 kg |
| Size 2 | 64–90 cm | 20–37 cm | 53–80 cm | 64–93 cm | | 22–32.5 cm | 17–28 cm* | ca. 95–135 cm | 45 kg |
| User | cm | cm | cm | cm | cm | cm | cm | cm | kg |

*different versions available

| Base model measurements | | | |
|-------------------------|------------|--------------|-------------------|
| | Tray width | Total length | Inner frame width |
| Size 1 | 64 cm | 73 cm | 41 cm |
| Size 2 | 73 cm | 97 cm | 47.5 cm |

Patient's muscle tone
Stereotypic movements (e.g. permanent body rocking)*

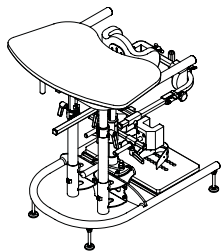
*If there are stereotypic movements, please check whether the stander requires any special customisation.

Base Model and Supports

Heidelberg Upright Stander Benni size 1 and size 2

Base model

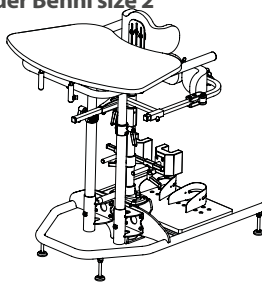
Upright stander Benni size 1
Code 1022159



Size 1

3.710,-€

Upright stander Benni size 2
Code 1021714



Size 2

3.839,-€

Cushion colours

- Light grey artificial leather (N20057)
- Anthracite artificial leather (N20058)

Other colours of artificial leather are available on request.

Do not forget to select the colours of your Benni. They are very important to process your order.



Frame colours

| | | |
|---|---|---|
| Pure white (RAL 9010) | Claret violet (RAL 4004) | Luminous green (RAL 6038) |
| Daffodil yellow (RAL 1007) | Ultramarine blue (RAL 5002) | Anthracite grey, matt (RAL 7016m) |
| Luminous yellow (RAL 1026) | Metallic traffic blue* | Metallic silver* |
| Pure orange (RAL 2004) | Pearl night blue, matt (RAL 5026) | Metallic anthracite* |
| Luminous orange (RAL 2005) | Water blue (RAL 5021) | Graphite black, matt (RAL 9011m) |
| Ruby red (RAL 3003) | Light green (RAL 6027) | Glossy jet black (RAL 9005g) |
| Pearl ruby red, matt (RAL 3032) | Yellow green (RAL 6018) | |
| Heather violet (RAL 4003) | Pearl green, matt (RAL 6035) | |

*no RAL colours

This is only an overview of colours. Find all details at www.rehatec.com.

Castors

Lockable castors, 75 mm

Code 1005593

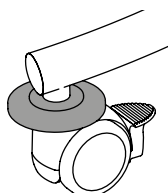


Set

270,-€

Wall and furniture bumpers

Code 1018607

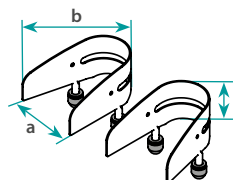


Set

117,-€

Sandals

Sandals, screw-mounted



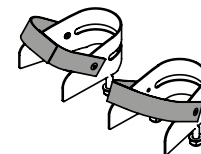
| Size | a | b | c | Code |
|------|---------|---------|------|---------|
| 0 | 9.5 cm | 10.5 cm | 5 cm | 1016805 |
| 1 | 10.5 cm | 13.5 cm | 7 cm | 1014407 |

Pair/Extra charge

67,-€

Straps

Code 1014394



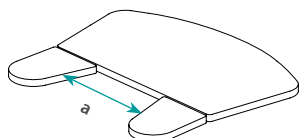
Recommended for screw-mounted sandals

Pair

57,-€

Tray

Parallely adjustable arm supports and straight tray



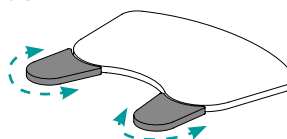
| Code | For size | a |
|---------|----------|----------|
| 1016764 | 1 | 19-30 cm |
| 1018739 | 2 | 24-35 cm |

Extra charge

208,-€

Arm supports for standard tray

Angle-adjustable

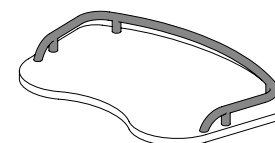


| For size | Code |
|----------|---------|
| 1 | 1022440 |
| 2 | 1022255 |

Pair

208,-€

Grab rail



| For size | Code |
|----------|---------|
| 1 | 1018742 |
| 2 | 1018800 |

Set

162,-€

Additional technical details available at www.rehatec.com -> Downloads. Or send us your request by email, fax or letter.

Valid from 2023-01-01 until recalled. © Unauthorized duplication without prior permission of Rehatec GmbH is strictly prohibited.

Technical changes reserved. Our General Terms and Conditions apply, see www.rehatec.com.

By ordering our products, you confirm that you have read and accepted our General Terms and Conditions

Rehatec® GmbH, In den Kreuzwiesen 35, 69250 Schönau, T: +49 6228 9136-0, F: +49 6228 9136-99, info@rehatec.com, www.rehatec.com

| Supports | | | | | | | | | | | | | | | | | | | | | | | | | | | | | | | | | | | | | | | | | | | | | | | | | | | | | | | | | | | | | | | | | | | | | | | |
|--|---------------------------|-------|---------|---------|-------|---------|---|---------|---|---------|------|---|---|---|---|---|-------|-------|---------|------|---|-------|-------|---------|------|---|-------|-------|---------|------|---|-------|-------|-------|-------|--|------|---|---|---|---|---|------|------|----------|-------|---------|-------|-------|---------|---|----------|-------|---------|---------|-------|---------|---|----------|-------|-------|---------|-------|---------|---|----------|-------|-------|---------|-------|---------|
| <p>Chest support</p> <table border="1"> <thead> <tr> <th>Size</th> <th>Code</th> </tr> </thead> <tbody> <tr> <td>0</td> <td>1002268</td> </tr> <tr> <td>1</td> <td>1003622</td> </tr> <tr> <td>2</td> <td>1003623</td> </tr> <tr> <td>3</td> <td>1020576</td> </tr> </tbody> </table> <table border="1"> <thead> <tr> <th>Size</th> <th>a</th> <th>b</th> <th>g</th> <th>d</th> </tr> </thead> <tbody> <tr> <td>0</td> <td>13 cm</td> <td>11 cm</td> <td>14,5 cm</td> <td>9 cm</td> </tr> <tr> <td>1</td> <td>15 cm</td> <td>11 cm</td> <td>18,5 cm</td> <td>9 cm</td> </tr> <tr> <td>2</td> <td>15 cm</td> <td>11 cm</td> <td>21,5 cm</td> <td>9 cm</td> </tr> <tr> <td>3</td> <td>17 cm</td> <td>12 cm</td> <td>28 cm</td> <td>11 cm</td> </tr> </tbody> </table> | Size | Code | 0 | 1002268 | 1 | 1003622 | 2 | 1003623 | 3 | 1020576 | Size | a | b | g | d | 0 | 13 cm | 11 cm | 14,5 cm | 9 cm | 1 | 15 cm | 11 cm | 18,5 cm | 9 cm | 2 | 15 cm | 11 cm | 21,5 cm | 9 cm | 3 | 17 cm | 12 cm | 28 cm | 11 cm | <p>Sternum chest support incl. adjustable lateral supports</p> <table border="1"> <thead> <tr> <th>Size</th> <th>g</th> <th>b</th> <th>c</th> <th>d</th> <th>e</th> <th>Code</th> </tr> </thead> <tbody> <tr> <td>Mini</td> <td>16–25 cm</td> <td>15 cm</td> <td>19,5 cm</td> <td>12 cm</td> <td>12 cm</td> <td>1021966</td> </tr> <tr> <td>0</td> <td>20–28 cm</td> <td>20 cm</td> <td>20,5 cm</td> <td>15,5 cm</td> <td>12 cm</td> <td>1021967</td> </tr> <tr> <td>1</td> <td>24–32 cm</td> <td>22 cm</td> <td>23 cm</td> <td>17,5 cm</td> <td>15 cm</td> <td>1021951</td> </tr> <tr> <td>2</td> <td>29–38 cm</td> <td>28 cm</td> <td>24 cm</td> <td>17,5 cm</td> <td>15 cm</td> <td>1021942</td> </tr> </tbody> </table> | Size | g | b | c | d | e | Code | Mini | 16–25 cm | 15 cm | 19,5 cm | 12 cm | 12 cm | 1021966 | 0 | 20–28 cm | 20 cm | 20,5 cm | 15,5 cm | 12 cm | 1021967 | 1 | 24–32 cm | 22 cm | 23 cm | 17,5 cm | 15 cm | 1021951 | 2 | 29–38 cm | 28 cm | 24 cm | 17,5 cm | 15 cm | 1021942 |
| Size | Code | | | | | | | | | | | | | | | | | | | | | | | | | | | | | | | | | | | | | | | | | | | | | | | | | | | | | | | | | | | | | | | | | | | | | | |
| 0 | 1002268 | | | | | | | | | | | | | | | | | | | | | | | | | | | | | | | | | | | | | | | | | | | | | | | | | | | | | | | | | | | | | | | | | | | | | | |
| 1 | 1003622 | | | | | | | | | | | | | | | | | | | | | | | | | | | | | | | | | | | | | | | | | | | | | | | | | | | | | | | | | | | | | | | | | | | | | | |
| 2 | 1003623 | | | | | | | | | | | | | | | | | | | | | | | | | | | | | | | | | | | | | | | | | | | | | | | | | | | | | | | | | | | | | | | | | | | | | | |
| 3 | 1020576 | | | | | | | | | | | | | | | | | | | | | | | | | | | | | | | | | | | | | | | | | | | | | | | | | | | | | | | | | | | | | | | | | | | | | | |
| Size | a | b | g | d | | | | | | | | | | | | | | | | | | | | | | | | | | | | | | | | | | | | | | | | | | | | | | | | | | | | | | | | | | | | | | | | | | | |
| 0 | 13 cm | 11 cm | 14,5 cm | 9 cm | | | | | | | | | | | | | | | | | | | | | | | | | | | | | | | | | | | | | | | | | | | | | | | | | | | | | | | | | | | | | | | | | | | |
| 1 | 15 cm | 11 cm | 18,5 cm | 9 cm | | | | | | | | | | | | | | | | | | | | | | | | | | | | | | | | | | | | | | | | | | | | | | | | | | | | | | | | | | | | | | | | | | | |
| 2 | 15 cm | 11 cm | 21,5 cm | 9 cm | | | | | | | | | | | | | | | | | | | | | | | | | | | | | | | | | | | | | | | | | | | | | | | | | | | | | | | | | | | | | | | | | | | |
| 3 | 17 cm | 12 cm | 28 cm | 11 cm | | | | | | | | | | | | | | | | | | | | | | | | | | | | | | | | | | | | | | | | | | | | | | | | | | | | | | | | | | | | | | | | | | | |
| Size | g | b | c | d | e | Code | | | | | | | | | | | | | | | | | | | | | | | | | | | | | | | | | | | | | | | | | | | | | | | | | | | | | | | | | | | | | | | | | |
| Mini | 16–25 cm | 15 cm | 19,5 cm | 12 cm | 12 cm | 1021966 | | | | | | | | | | | | | | | | | | | | | | | | | | | | | | | | | | | | | | | | | | | | | | | | | | | | | | | | | | | | | | | | | |
| 0 | 20–28 cm | 20 cm | 20,5 cm | 15,5 cm | 12 cm | 1021967 | | | | | | | | | | | | | | | | | | | | | | | | | | | | | | | | | | | | | | | | | | | | | | | | | | | | | | | | | | | | | | | | | |
| 1 | 24–32 cm | 22 cm | 23 cm | 17,5 cm | 15 cm | 1021951 | | | | | | | | | | | | | | | | | | | | | | | | | | | | | | | | | | | | | | | | | | | | | | | | | | | | | | | | | | | | | | | | | |
| 2 | 29–38 cm | 28 cm | 24 cm | 17,5 cm | 15 cm | 1021942 | | | | | | | | | | | | | | | | | | | | | | | | | | | | | | | | | | | | | | | | | | | | | | | | | | | | | | | | | | | | | | | | | |
| Standard | Each 467,-€ | | | | | | | | | | | | | | | | | | | | | | | | | | | | | | | | | | | | | | | | | | | | | | | | | | | | | | | | | | | | | | | | | | | | | | |

| <p>Chest support made to measure Code 1010840</p> <p>Height 1 (a) = _____ cm</p> <p>Height 2 (b) = _____ cm</p> <p>Width (g) = _____ cm</p> <p>Depth (d) = _____ cm</p> | <p>Padded strap for chest support</p> <table border="1"> <thead> <tr> <th>Size</th> <th>Length</th> <th>Code</th> </tr> </thead> <tbody> <tr> <td>1</td> <td>75–87 cm</td> <td>1022618</td> </tr> <tr> <td>2</td> <td>94–106 cm</td> <td>1022716</td> </tr> </tbody> </table> <div style="border: 1px solid black; padding: 5px; display: inline-block;"> <p>Also available for Sternum chest support</p> </div> | Size | Length | Code | 1 | 75–87 cm | 1022618 | 2 | 94–106 cm | 1022716 |
|--|--|---------|--------|------|---|----------|---------|---|-----------|---------|
| Size | Length | Code | | | | | | | | |
| 1 | 75–87 cm | 1022618 | | | | | | | | |
| 2 | 94–106 cm | 1022716 | | | | | | | | |
| Each 301,-€ | Each 132,-€ | | | | | | | | | |

| <p>Back support</p> <table border="1"> <thead> <tr> <th>Size</th> <th>Width</th> <th>Height</th> <th>Code</th> </tr> </thead> <tbody> <tr> <td>1</td> <td>15 cm</td> <td>16,5 cm</td> <td>1000382</td> </tr> <tr> <td>2</td> <td>21,5 cm</td> <td>21 cm</td> <td>1022764</td> </tr> </tbody> </table> | Size | Width | Height | Code | 1 | 15 cm | 16,5 cm | 1000382 | 2 | 21,5 cm | 21 cm | 1022764 | <p>Headrest</p> <table border="1"> <thead> <tr> <th>Size</th> <th>a</th> <th>b</th> <th>Code</th> </tr> </thead> <tbody> <tr> <td>1</td> <td>16 cm</td> <td>28 cm</td> <td>1018744</td> </tr> <tr> <td>2</td> <td>20 cm</td> <td>33 cm</td> <td>1018807</td> </tr> </tbody> </table> <div style="border: 1px solid black; padding: 5px; display: inline-block;"> <p>Only in combination with back support!</p> </div> | Size | a | b | Code | 1 | 16 cm | 28 cm | 1018744 | 2 | 20 cm | 33 cm | 1018807 |
|--|---------------------------|---------|---------|------|---|-------|---------|---------|---|---------|-------|---------|---|------|---|---|------|---|-------|-------|---------|---|-------|-------|---------|
| Size | Width | Height | Code | | | | | | | | | | | | | | | | | | | | | | |
| 1 | 15 cm | 16,5 cm | 1000382 | | | | | | | | | | | | | | | | | | | | | | |
| 2 | 21,5 cm | 21 cm | 1022764 | | | | | | | | | | | | | | | | | | | | | | |
| Size | a | b | Code | | | | | | | | | | | | | | | | | | | | | | |
| 1 | 16 cm | 28 cm | 1018744 | | | | | | | | | | | | | | | | | | | | | | |
| 2 | 20 cm | 33 cm | 1018807 | | | | | | | | | | | | | | | | | | | | | | |
| Each 275,-€ | Each 320,-€ | | | | | | | | | | | | | | | | | | | | | | | | |

| Knee cups | | | | | | | | | | | | | | |
|--|--|---|------|----------------|------|---|------|---------|---|---------|---------|---|-------|---------|
| <p>Standard knee cups</p> <div style="border: 1px solid black; padding: 5px; display: inline-block;"> <p>Size complies with user measurements (6 – 13 cm)</p> </div> | <p>Knee cups adjustable in height, width and depth Code 10022</p> | <p>Contoured knee cups</p> <table border="1"> <thead> <tr> <th>Size</th> <th>Knee width (e)</th> <th>Code</th> </tr> </thead> <tbody> <tr> <td>1</td> <td>8 cm</td> <td>1018752</td> </tr> <tr> <td>2</td> <td>11,5 cm</td> <td>1018753</td> </tr> <tr> <td>3</td> <td>13 cm</td> <td>1018754</td> </tr> </tbody> </table> | Size | Knee width (e) | Code | 1 | 8 cm | 1018752 | 2 | 11,5 cm | 1018753 | 3 | 13 cm | 1018754 |
| Size | Knee width (e) | Code | | | | | | | | | | | | |
| 1 | 8 cm | 1018752 | | | | | | | | | | | | |
| 2 | 11,5 cm | 1018753 | | | | | | | | | | | | |
| 3 | 13 cm | 1018754 | | | | | | | | | | | | |
| Standard | Pair/Extra charge 208,-€ | Pair/Extra charge 120,-€ | | | | | | | | | | | | |

Additional technical details available at www.rehatec.com -> Downloads. Or send us your request by email, fax or letter.

Valid from 2023-01-01 until recalled. © Unauthorized duplication without prior permission of Rehatec GmbH is strictly prohibited.

Technical changes reserved. Our General Terms and Conditions apply, see www.rehatec.com.

By ordering our products, you confirm that you have read and accepted our General Terms and Conditions

Rehatec® GmbH, In den Kreuzwiesen 35, 69250 Schönau, T: +49 6228 9136-0, F: +49 6228 9136-99, info@rehatec.com, www.rehatec.com

