

Supine/Upright Stander Lasse 2020 sizes 1 & 2



Model 2020

suitable from about 75 cm to about 135 cm

Cost estimate

Sender / billing address

Order

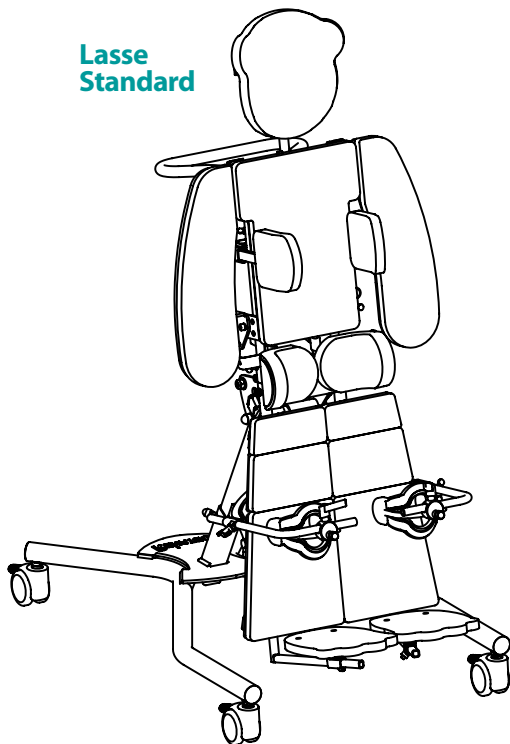
Address for dispatch

Purchaser

Date

Commission

Lasse Standard



Lasse adjustable for height

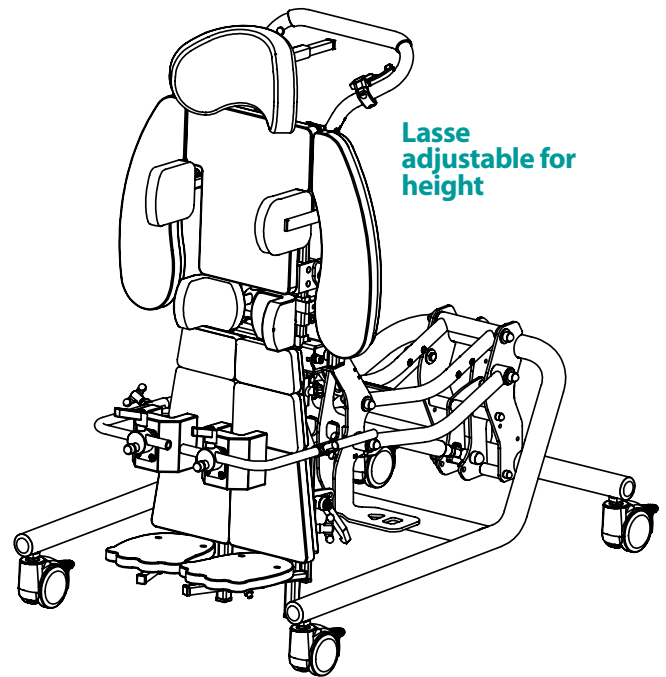


Figure does not comply with base model and its accessories

Reimbursement code Germany

28.29.02.1048

Base model Lasse Standard

- Frame with 75 mm castors
- Recline adjustment via gas spring with an angle range from 0 - 85° (on request up to 90°)
- Split footplates
- Leg control pads
- Backrest
- Split pelvic supports
- Butterfly harness

Base model Lasse adjustable for height

- Frame with 75 mm castors
- Height adjustment via gas spring
- Recline adjustment via gas spring with an angle range from 0 - 85° (on request up to 90°)
- Split footplates
- Split leg control pads
- Backrest
- Split pelvic supports
- Butterfly harness
- Degree indicator

Max. user weight

for size 1: 50 kg
for size 2: 60 kg

Max. user weight

for size 1: 45 kg
for size 2: 45 kg

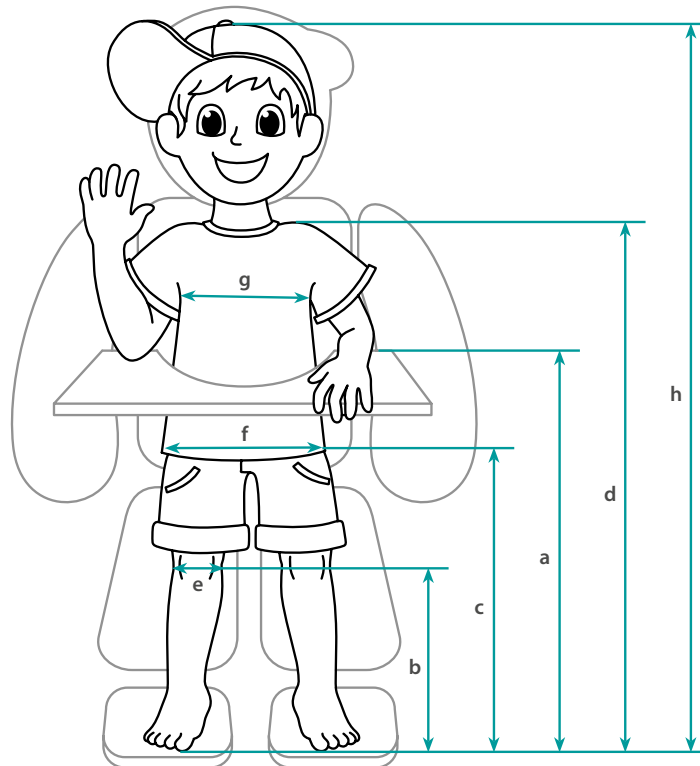
Additional technical details available at www.rehatec.com -> Downloads. Or send us your request by email, fax or letter.

Valid from 2023-01-01 until recalled. © Unauthorized duplication without prior permission of Rehatec GmbH is strictly prohibited.

Technical changes reserved. Our General Terms and Conditions apply, see www.rehatec.com.

By ordering our products, you confirm that you have read and accepted our General Terms and Conditions

Rehatec® GmbH, In den Kreuzwiesen 35, 69250 Schönau, T: +49 6228 9136-0, F: +49 6228 9136-99, info@rehatec.com, www.rehatec.com



In case of missing specifications, we apply standard measures!
When measurements deviate from the sizes specified for this stander (compare to table below), we customise the stander at your expense.

Figure does not comply with base model
Size tolerances $\pm 3\%$

Patient's muscle tone
Stereotypic movements (e.g. permanent body rocking)*

* If there are stereotypic movements, please check whether the stander requires any special customisation.

Base model/user measurements				Please complete!		
	Tray height (a)	Knee height (b)	Pelvic middle (c)	Shoulder height (d)	Knee width (e)	Pelvic middle (f)
Standard size 1	45 – 70 cm	20 – 40 cm	ca. 30 – 59 cm	ca. 64 – 101 cm	5 – 8 cm	14 – 34 cm
Standard size 2	55 – 85 cm	20 – 45 cm	ca. 42 – 69 cm	ca. 86 – 120 cm	7 – 11.5 cm	20 – 45 cm
Height adjustable size 1	45 – 70 cm	20 – 40 cm	ca. 30 – 59 cm	ca. 64 – 101 cm	5 – 8 cm	14 – 34 cm
Height adjustable size 2	55 – 85 cm	20 – 45 cm	ca. 42 – 69 cm	ca. 86 – 120 cm	7 – 11.5 cm	20 – 45 cm
User	cm	cm	cm	cm	cm	cm

	Chest width (g)	Body height (h)	User weight	Transfer height	Clear space height
Standard size 1	14 – 24 cm (32 cm ⁽¹⁾)	ca. 75 – 115 cm	max. 50 kg	73 cm	10 cm
Standard size 2	20 – 28 cm (36 cm ⁽¹⁾)	ca. 100 – 135 cm	max. 60 kg	84 cm	
Height adjustable size 1	14 – 24 cm (32 cm ⁽¹⁾)	ca. 75 – 115 cm	max. 45 kg	60.5 – 81.5 cm	9.5 cm
Height adjustable size 2	20 – 28 cm (36 cm ⁽¹⁾)	ca. 100 – 135 cm	max. 45 kg		
User	cm	cm	kg		

⁽¹⁾ Optional accessories available (see page 4)

Additional technical details available at www.rehatec.com -> Downloads. Or send us your request by email, fax or letter.

Valid from 2023-01-01 until recalled. © Unauthorized duplication without prior permission of Rehatec GmbH is strictly prohibited.

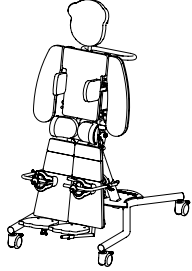
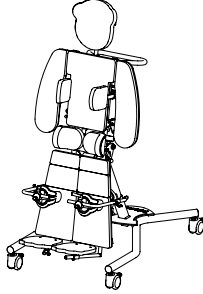
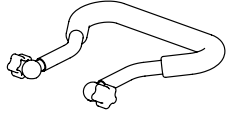
Technical changes reserved. Our General Terms and Conditions apply, see www.rehatec.com.

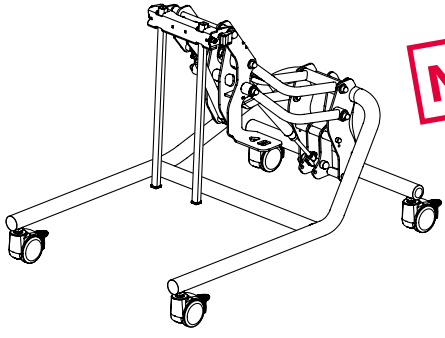
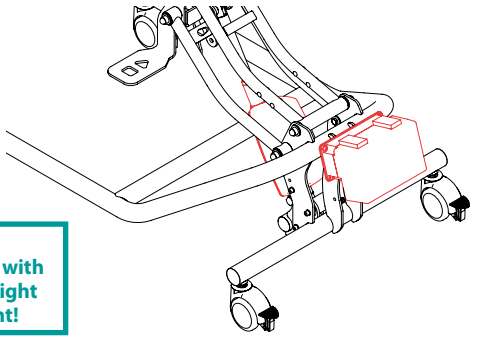
By ordering our products, you confirm that you have read and accepted our General Terms and Conditions

Rehatec® GmbH, In den Kreuzwiesen 35, 69250 Schönau, T: +49 6228 9136-0, F: +49 6228 9136-99, info@rehatec.com, www.rehatec.com

Model & Colours

Supine/Upright Stander Lasse Model 2020 sizes 1 and 2

Base model		Push brace	
Supine/upright stander Lasse size 1 Code 1007212 Suitable from about 75 to 115 cm 		Supine/upright stander Lasse size 2 Code 1007955 Suitable from about 100 to 135 cm 	
Size 1	2.310,- €	Size 2	2.413,- €
		Push bar Code 10076 	
		Extra charge 320,- €	

Height adjustment	Electric height adjustment						
Frame for height adjustment via gas spring <div style="border: 1px solid black; padding: 5px; width: fit-content;"> Now always available with degree indicator! </div>  <div style="border: 2px solid red; padding: 5px; display: inline-block; transform: rotate(-5deg);"> NEW </div> <table border="1" style="margin-top: 10px;"> <thead> <tr> <th>Size</th> <th>Code</th> </tr> </thead> <tbody> <tr> <td>1</td> <td>1022803</td> </tr> <tr> <td>2</td> <td>1022805</td> </tr> </tbody> </table>	Size	Code	1	1022803	2	1022805	Electric height adjustment, battery included Code 1022806  <div style="border: 1px solid black; padding: 5px; width: fit-content;"> Only in combination with frame for height adjustment! </div>
Size	Code						
1	1022803						
2	1022805						
Extra charge 551,- €	Extra charge 1.295,- €						

Cushion colours	
Cushions for supporting surfaces / edges (premium Trevira® CS fabrics)	
Yellow/grey	(GU700-S709)
Pink/grey	(GU702-S709)
Red/grey	(GU703-S709)
Apple green/grey	(GU705-S709)
Light blue/grey	(GU707-S709)
Black/grey	(GU710-S709)

Do not forget to select the frame and cushion colours of your Lasse. They are very important to process your order.



Frame colours			
	Pure white	(RAL 9010)	
	Daffodil yellow	(RAL 1007)	
	Luminous yellow	(RAL 1026)	
	Pure orange	(RAL 2004)	
	Luminous orange	(RAL 2005)	
	Ruby red	(RAL 3003)	
	Pearl ruby red, matt	(RAL 3032)	
	Heather violet	(RAL 4003)	
	Claret violet	(RAL 4004)	
	Ultramarine blue	(RAL 5002)	
	Metallic traffic blue*		
	Pearl night blue, matt	(RAL 5026)	
	Water blue	(RAL 5021)	
	Light green	(RAL 6027)	
	Yellow green	(RAL 6018)	
	Pearl green, matt	(RAL 6035)	
	Luminous green	(RAL 6038)	
	Anthracite grey, matt	(RAL 7016m)	
	Metallic silver*		
	Metallic anthracite*		
	Graphite black, matt	(RAL 9011m)	
	Glossy jet black	(RAL 9005g)	

* no RAL colours

This is only an overview of colours. Find all details at www.rehatec.com.

Additional technical details available at www.rehatec.com -> Downloads. Or send us your request by email, fax or letter.

Valid from 2023-01-01 until recalled. © Unauthorized duplication without prior permission of Rehatec GmbH is strictly prohibited.

Technical changes reserved. Our General Terms and Conditions apply, see www.rehatec.com.

By ordering our products, you confirm that you have read and accepted our General Terms and Conditions

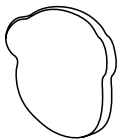
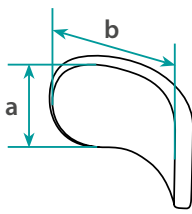
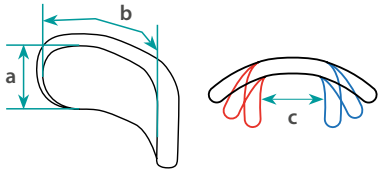
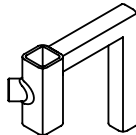
Rehatec® GmbH, In den Kreuzwiesen 35, 69250 Schönau, T: +49 6228 9136-0, F: +49 6228 9136-99, info@rehatec.com, www.rehatec.com

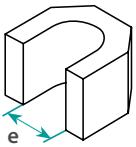
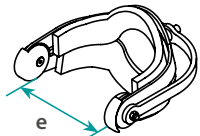

Belts and supports																					
Butterfly harness Code 10046 	PELVI.LOC pelvis belt Code 10059 <table border="1"> <thead> <tr> <th>Size</th> <th>Pelvic width</th> </tr> </thead> <tbody> <tr> <td>XS</td> <td>16-24 cm</td> </tr> <tr> <td>S</td> <td>20-32 cm</td> </tr> <tr> <td>M</td> <td>28-38 cm</td> </tr> <tr> <td>L</td> <td>36-46 cm</td> </tr> </tbody> </table>	Size	Pelvic width	XS	16-24 cm	S	20-32 cm	M	28-38 cm	L	36-46 cm	Pelvic supports, split <table border="1"> <thead> <tr> <th>Size</th> <th>a</th> <th>f</th> </tr> </thead> <tbody> <tr> <td>1</td> <td>9 cm</td> <td>14-23 cm</td> </tr> <tr> <td>2</td> <td>12 cm</td> <td>20-26 cm</td> </tr> </tbody> </table>	Size	a	f	1	9 cm	14-23 cm	2	12 cm	20-26 cm
Size	Pelvic width																				
XS	16-24 cm																				
S	20-32 cm																				
M	28-38 cm																				
L	36-46 cm																				
Size	a	f																			
1	9 cm	14-23 cm																			
2	12 cm	20-26 cm																			
Standard	Extra charge Please choose one! 324,- €	Standard																			


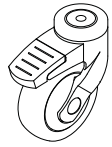
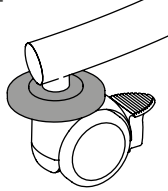
Pelvic support board <div style="border: 1px solid black; padding: 2px; width: fit-content;"> Combination with Pelvi.LOC recommended </div> <table border="1"> <thead> <tr> <th>Code</th> <th>Size</th> <th>a</th> <th>f</th> </tr> </thead> <tbody> <tr> <td>1010979</td> <td>1</td> <td>9 cm</td> <td>26 cm</td> </tr> <tr> <td>1010980</td> <td>2</td> <td>12 cm</td> <td>32 cm</td> </tr> </tbody> </table>	Code	Size	a	f	1010979	1	9 cm	26 cm	1010980	2	12 cm	32 cm	Pelvic support board, removable pelvic supports Code 1015122 Straight mounting bracket <table border="1"> <thead> <tr> <th>Size</th> <th>a</th> <th>b</th> <th>f</th> </tr> </thead> <tbody> <tr> <td>1</td> <td>12 cm</td> <td>10 cm</td> <td>26-34 cm</td> </tr> <tr> <td>2</td> <td>14 cm</td> <td>12 cm</td> <td>29-45 cm</td> </tr> </tbody> </table> Angled mounting bracket <table border="1"> <thead> <tr> <th>Size</th> <th>a</th> <th>b</th> <th>f</th> </tr> </thead> <tbody> <tr> <td>1</td> <td>12 cm</td> <td>10 cm</td> <td>18-26 cm</td> </tr> <tr> <td>2</td> <td>14 cm</td> <td>12 cm</td> <td>21-37 cm</td> </tr> </tbody> </table>	Size	a	b	f	1	12 cm	10 cm	26-34 cm	2	14 cm	12 cm	29-45 cm	Size	a	b	f	1	12 cm	10 cm	18-26 cm	2	14 cm	12 cm	21-37 cm	Pelvic support board, flip away pelvic supports Code 1010994 Straight mounting bracket <table border="1"> <thead> <tr> <th>Für Gr.</th> <th>a</th> <th>b</th> <th>Maß f</th> </tr> </thead> <tbody> <tr> <td>1</td> <td>9 cm</td> <td>12 cm</td> <td>32-42 cm</td> </tr> <tr> <td>2</td> <td>19 cm</td> <td>12 cm</td> <td>32-42 cm</td> </tr> </tbody> </table> Angled mounting bracket <table border="1"> <thead> <tr> <th>Size</th> <th>a</th> <th>b</th> <th>f</th> </tr> </thead> <tbody> <tr> <td>2</td> <td>19 cm</td> <td>12 cm</td> <td>22-32 cm</td> </tr> </tbody> </table> <div style="border: 1px solid red; padding: 2px; width: fit-content; margin-top: 5px;"> Only available for size 2 </div>	Für Gr.	a	b	Maß f	1	9 cm	12 cm	32-42 cm	2	19 cm	12 cm	32-42 cm	Size	a	b	f	2	19 cm	12 cm	22-32 cm
Code	Size	a	f																																																							
1010979	1	9 cm	26 cm																																																							
1010980	2	12 cm	32 cm																																																							
Size	a	b	f																																																							
1	12 cm	10 cm	26-34 cm																																																							
2	14 cm	12 cm	29-45 cm																																																							
Size	a	b	f																																																							
1	12 cm	10 cm	18-26 cm																																																							
2	14 cm	12 cm	21-37 cm																																																							
Für Gr.	a	b	Maß f																																																							
1	9 cm	12 cm	32-42 cm																																																							
2	19 cm	12 cm	32-42 cm																																																							
Size	a	b	f																																																							
2	19 cm	12 cm	22-32 cm																																																							
Optional	Set Please choose one! 310,- €	Set Please choose one! 310,- €																																																								

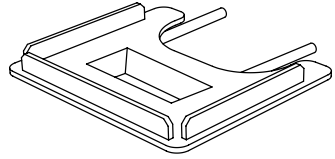
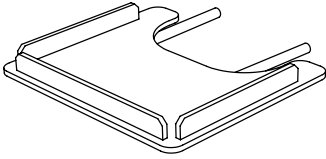

Lateral supports <table border="1"> <thead> <tr> <th>Supports</th> <th>Code</th> <th>a</th> <th>b</th> </tr> </thead> <tbody> <tr> <td>Swing-away</td> <td>10041</td> <td>12 cm</td> <td>14 cm</td> </tr> <tr> <td>Removable</td> <td>10041-1</td> <td>12 cm</td> <td>14 cm</td> </tr> </tbody> </table>	Supports	Code	a	b	Swing-away	10041	12 cm	14 cm	Removable	10041-1	12 cm	14 cm	Armrests, removable Code 10042
Supports	Code	a	b										
Swing-away	10041	12 cm	14 cm										
Removable	10041-1	12 cm	14 cm										
Flip away Removable	293,- € 293,- €	Pair	336,- €										

Optional accessories											
Mounting bracket (90 angle) for lateral supports Code 1018850 Reinforced and extended for chest widths: <table border="1"> <thead> <tr> <th></th> <th>Chest width (g)</th> </tr> </thead> <tbody> <tr> <td>Standard size 1</td> <td>15-32 cm</td> </tr> <tr> <td>Standard size 2</td> <td>21-36 cm</td> </tr> <tr> <td>Height adjustable size 1</td> <td>15-32 cm</td> </tr> <tr> <td>Height adjustable size 2</td> <td>21-36 cm</td> </tr> </tbody> </table>		Chest width (g)	Standard size 1	15-32 cm	Standard size 2	21-36 cm	Height adjustable size 1	15-32 cm	Height adjustable size 2	21-36 cm	Mounting bracket for arm supports, extended Code 1010871 <div style="border: 1px solid black; padding: 5px; margin: 5px 0;"> Mounting bracket for size 1: Required if chest width exceeds 25 cm! </div> <div style="border: 1px solid black; padding: 5px; margin: 5px 0;"> Attachment for size 2: Required if chest width exceeds 29 cm! </div> <div style="border: 1px solid black; padding: 5px; margin: 5px 0;"> Only required in combination with code 1018850! </div>
	Chest width (g)										
Standard size 1	15-32 cm										
Standard size 2	21-36 cm										
Height adjustable size 1	15-32 cm										
Height adjustable size 2	21-36 cm										
Pair	120,- €	Pair	67,- €								

Headrests																									
Bear headrest Code 10048 	Headrest, shell-shaped Code 10049  <table border="1"> <tr><th>Size</th><th>a</th><th>b</th></tr> <tr><td>1</td><td>16 cm</td><td>28 cm</td></tr> </table>	Size	a	b	1	16 cm	28 cm	Headrest, adjustable Code 10075  <table border="1"> <tr><th>Size</th><th>a</th><th>b</th><th>c</th></tr> <tr><td>Mini</td><td>10 cm</td><td>34 cm</td><td>9 cm</td></tr> <tr><td>1</td><td>10 cm</td><td>42 cm</td><td>10 cm</td></tr> <tr><td>2</td><td>14 cm</td><td>51 cm</td><td>12 cm</td></tr> </table>	Size	a	b	c	Mini	10 cm	34 cm	9 cm	1	10 cm	42 cm	10 cm	2	14 cm	51 cm	12 cm	Headrest mounting system offering a rearward depth Code 1007669 Incl. straight headrest attachment bracket 
Size	a	b																							
1	16 cm	28 cm																							
Size	a	b	c																						
Mini	10 cm	34 cm	9 cm																						
1	10 cm	42 cm	10 cm																						
2	14 cm	51 cm	12 cm																						
Extra charge 219,- €	Extra charge 219,- €	Extra charge Please choose one! 364,- €	Set 126,- €																						
More headrests available in the Pro-System and Heads up order forms.																									

Knee cups																					
Knee cups Code 10045  <table border="1"> <tr><th>Size</th><th>For size</th><th>e</th></tr> <tr><td>1</td><td>1/2</td><td>7 cm</td></tr> <tr><td>2</td><td></td><td>8 cm</td></tr> <tr><td>3</td><td>2</td><td>9 cm</td></tr> </table>	Size	For size	e	1	1/2	7 cm	2		8 cm	3	2	9 cm	Knee cups, contoured Code 10074  <table border="1"> <tr><th>Size</th><th>e</th></tr> <tr><td>1</td><td>8 cm</td></tr> <tr><td>2</td><td>11.5 cm</td></tr> </table>	Size	e	1	8 cm	2	11.5 cm	Mechanical stop, knee depth adjustment Code 1023378 	
Size	For size	e																			
1	1/2	7 cm																			
2		8 cm																			
3	2	9 cm																			
Size	e																				
1	8 cm																				
2	11.5 cm																				
Pair Please choose one! 503,- €	Pair Please choose one! 567,- €	Pair 30,- €																			

Castors									
Lockable castors, 75 mm Clear space height = 10 cm 	Lockable castors, 100 mm Code 1022143 Clear space height = 14.5 cm 	Wall and furniture bumpers  <div style="border: 1px solid black; padding: 2px; display: inline-block;">The total width extends by 4 cm!</div> <table border="1"> <tr><th>Code</th><th>Castors</th></tr> <tr><td>1018607</td><td>75 mm</td></tr> <tr><td>1018783</td><td>100 mm</td></tr> </table>	Code	Castors	1018607	75 mm	1018783	100 mm	
Code	Castors								
1018607	75 mm								
1018783	100 mm								
Standard	Extra charge 96,- €	Set 111,- €							

Tray			
Tray with bowl, cover and grab rail Code 1009919 Adjustable for depth and angle 	Tray with grab rail Code 1007227 Adjustable for depth and angle 	Mechanical stop (adjusting ring) tray depth adjustment Code 1023148 	
Extra charge 895,- €	Extra charge 728,- €	Pair 30,- €	

Additional technical details available at www.rehatec.com -> Downloads. Or send us your request by email, fax or letter.

Valid from 2023-01-01 until recalled. © Unauthorized duplication without prior permission of Rehatec GmbH is strictly prohibited.

Technical changes reserved. Our General Terms and Conditions apply, see www.rehatec.com.

By ordering our products, you confirm that you have read and accepted our General Terms and Conditions

Rehatec® GmbH, In den Kreuzwiesen 35, 69250 Schönau, T: +49 6228 9136-0, F: +49 6228 9136-99, info@rehatec.com, www.rehatec.com

